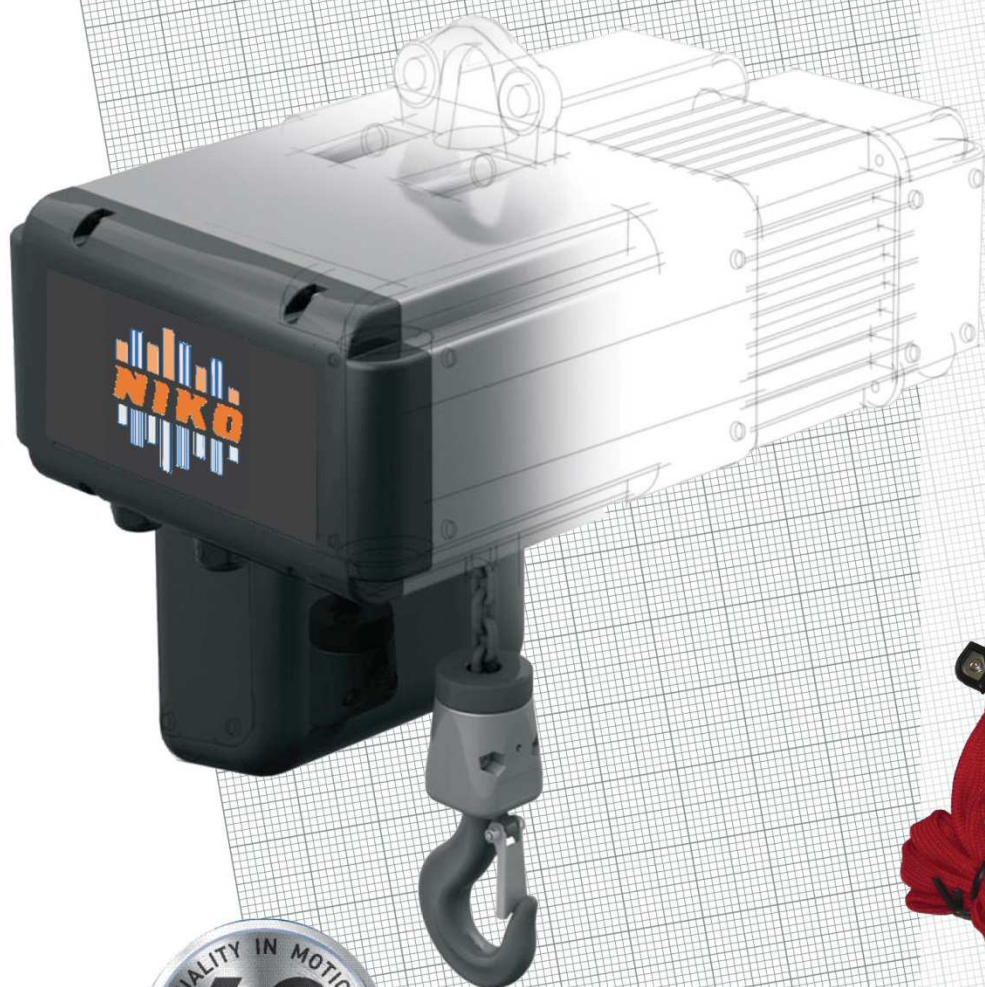


Electric chain hoist Radio remote control



NIKO ... Quality in Motion



www.niko.eu.com

www.niko-vasalat.hu

NIKO electric chain hoist

The NIKO electric chain hoist can be used with the Niko light crane systems and also with the jib cranes.



Most features:

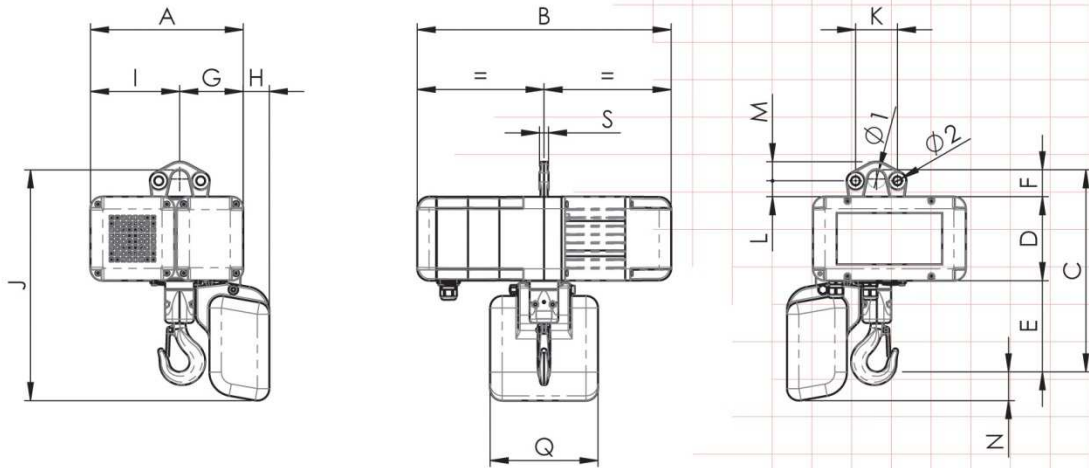
- Load capacity: up to 2000 kg.
- Service group: FEM 2m (ISO M5) and FEM 3m (ISO M6).
- Pendant: IP 65 protection class, 2 m cable with polyethylene box.
- Motor: double speed, 400 V and 50 Hz, IP 55 protection class.
- Control board: 48 V.
- Speed: 8/2 and 4/1 m/min.
- Chain: single chain, 3 m lifting height, chainbox.
- Suspension version: Eyebolt execution.
- Operating temperature: -10°C / +40°C.
- Maximum relative humidity: 90%.
- Maximum altitude 2000 m above sea level.
- Warranty: 3 years.
- Noise level: less 75 dB.
- The machine must be placed in a covered, well-ventilated, free from corrosive vapors (acid fumes, saline mist etc.)

Options:

- Extra charge up to 48 m lifting height.
- Hook execution.
- Stainless steel chain.
- Subblock stainless steel hook.
- Electric limit switch up/down.



Technical datas



Hoist type	Overall dimensions (mm)															Weight kg*
	A	B	C	D	E	F	G	I	J	K	L	M	S	Ø1	Ø2	
K2	255	425	340	140	155	45	106	149	385	70	27	32	15	30	14	31
K3	300	475	400	165	190	45	128	172	410	70	30	30	18	30	14	48
K4	340	560	490	200	240	56	145	195	585	90	36	34	25	35	20	75

*Weight referred to the hoist with 3 meter lifting height.

Hoist type	Chain		Choice of the chainbox and relative overall dimensions in function of the lifting height															
			size 1				size 2				size 3				size 4			
	pitch	weight	lifting height	dimensions			lifting height	dimensions			lifting height	dimensions			lifting height	dimensions		
	mm	kg/m	m	H	N	Q	m	H	N	Q	m	H	N	Q	m	H	N	Q
K2	5x15	0,58	6	42	45	180	12	70	99	225	24	77	174	270	48	85	219	310
K3	7x21	1,16	3	32	10	180	6	60	64	225	12	87	139	270	24	95	184	310
K4	10x28	2,42	-	-	-	-	-	-	-	-	6	90	50	270	12	97	95	310

NIKO code numbers

NIKO No.	Hoist type	Load capacity (kg)	Most features
X3.610	K2	125 kg	speed: 8/2, lifting height: 3 m, service group: FEM 3m
X3.620	K2	250 kg	speed: 4/1, lifting height: 3 m, service group: FEM 3m
X3.630	K2	500 kg	speed: 4/1, lifting height: 3 m, service group: FEM 2m
X3.640	K3	1000 kg	speed: 4/1, lifting height: 3 m, service group: FEM 2m
X3.650	K4	2000 kg	speed: 4/1, lifting height: 3 m, service group: FEM 2m

Options	Hoist type		
	K2	K3	K4
Extra charge chain	X3.661	X3.663	X3.665
Suspension with hook execution	X3.666	X3.667	X3.668
Stainless steel chain	X3.673	X3.674	X3.675
Subblock stainless steel hook	X3.676	X3.677	X3.678
Electric limit switch up/down	X3.672		

NIKO radio remote control

The NIKO radio remote control kit is available in two types.

The HOIST type (2 push-buttons) can control the lifting movements of the electric chain hoist.

The NOVA type (6 push-buttons) can control the NIKO motorised light crane system as well.

General technical datas:

- Frequency band: 433 – 434 MHz (EN 954-1).
- Operating temperature: -35°C / +80°C.
- Operation range: maximum 100 m.
- Durable nylon-fiber housing for extra shock resistance.
- Protection class: IP 65.
- Microsoft Windows based software for easy set-up.



Transmitter features:

- Power supply: 2 pcs AA size alkaline long life batteries.
- Push-buttons: HOIST type 2 double speed + 1 start/stop + 1 emergency stop.
NOVA type 6 double speed + 1 start/stop + 1 emergency stop + 1 horn.
- Safety: removable start key, hamming ID code.


Receiver features:

- Power supply: AC 24/48/110/220 V or DC 12/24 V.
- With antenna, wire cable of 2,5 m length and shock absorber.

Options:

- The HOIST type has a push-button operated horn.
- Protection cover for transmitter.
- The NOVA type available with multi-button version (max 12 buttons) which can control more crane-bridge spans and more electric chain hoists.

	NIKO No.	Description
	X3.710	Kit HOIST (1 transmitter, 1 receiver)
	X3.711	Kit HOIST (2 transmitter, 1 receiver)
	X3.712	HOIST Transmitter
	X3.713	HOIST Receiver

	X3.720	Kit NOVA (1 transmitter, 1 receiver)
	X3.721	Kit NOVA (2 transmitter, 1 receiver)
	X3.722	NOVA Transmitter
	X3.723	NOVA Receiver

Hőstop-Plastika Kft.

Location: H-1112 Budapest, Kőérberki út 36.
Invoice adress: H-1118 Bdapest, Torbágy u. 17.
Tel: +36 1 246 8393
Fax: +361 310 0085
E-mail: info@niko-vasalat.hu
Web: www.niko-vasalat.hu